

INSTRUMENTS

| CODE | NAME |
|-------------|--|
| HS2.001 | Introducer For Radial Head |
| HS2.002 | Impactor For Radial Head |
| HS2.003.016 | Trial For Radial Head Cup 16.0mm, 10.5mm |
| HS2.003.018 | Trial For Radial Head Cup 18.0mm, 10.5mm |
| HS2.003.020 | Trial For Radial Head Cup 20.0mm, 12.5mm |
| HS2.003.022 | Trial For Radial Head Cup 22.0mm, 12.5mm |
| HS2.003.024 | Trial For Radial Head Cup 24.0mm, 12.5mm |
| HS2.003.026 | Trial For Radial Head Cup 26.0mm, 12.5mm |
| HS2.009.016 | Trial For Radial Head Cup 16.0mm, 12.5mm |
| HS2.009.018 | Trial For Radial Head Cup 18.0mm, 12.5mm |
| HS2.009.020 | Trial For Radial Head Cup 20.0mm, 14.5mm |
| HS2.009.022 | Trial For Radial Head Cup 22.0mm, 14.5mm |
| HS2.009.024 | Trial For Radial Head Cup 24.0mm, 14.5mm |
| HS2.009.026 | Trial For Radial Head Cup 26.0mm, 14.5mm |
| HS2.010.016 | Trial For Radial Head Cup 16.0mm, 14.5mm |
| HS2.010.018 | Trial For Radial Head Cup 18.0mm, 14.5mm |
| HS2.010.020 | Trial For Radial Head Cup 20.0mm, 16.5mm |
| HS2.010.022 | Trial For Radial Head Cup 22.0mm, 16.5mm |
| HS2.010.024 | Trial For Radial Head Cup 24.0mm, 16.5mm |
| HS2.010.026 | Trial For Radial Head Cup 26.0mm, 16.5mm |
| HS2.004.055 | Trial For Radial Head Stem 5.5mm |
| HS2.004.065 | Trial For Radial Head Stem 6.5mm |
| HS2.004.075 | Trial For Radial Head Stem 7.5mm |
| HS2.004.085 | Trial For Radial Head Stem 8.5mm |
| HS2.004.095 | Trial For Radial Head Stem 9.5mm |
| HS2.004.105 | Trial For Radial Head Stem 10.5mm |
| HS2.005 | Radial Head Gauge |
| HS2.006.055 | Reamer For Radial Stem 5.5mm |
| HS2.006.065 | Reamer For Radial Stem 6.5mm |
| HS2.006.075 | Reamer For Radial Stem 7.5mm |
| HS2.006.085 | Reamer For Radial Stem 8.5mm |
| HS2.006.095 | Reamer For Radial Stem 9.5mm |
| HS2.006.105 | Reamer For Radial Stem 10.5mm |
| HS2.007 | Combination Wrench Combined |
| MS1.0201 | O Awl Straight Silicon Handle |
| MS1.036 | 120° Awl |
| 520.003 | Quick Coupling With T-Handle |
| HS2.008 | Screw Driver Narrow 2.5mm |
| MS1.084 | Rocker Forcep |
| BOX | |



MATRIX MEDITEC PVT. LTD

34, Saket Industrial Estate, Changodar, Sanand,
Ahmedabad-382213, Gujarat, India.
Tel: +91 9687659157 | +91 7948903016
For export Sales: export@matrixmeditec.com
For domestic Sales: sales@matrixmeditec.com
www.matrixmeditec.com

M
A
T
R
I
X

M
E
D
I
T
E
C

Radial Head Prosthesis System



The Matrix Meditec Radial Head Prosthesis System is intended to Restore *the joint function

FEATURES

- Modular: The two piece construct can accommodate a variety of patient anatomies.
- Implant Components are locked together by thread locking and a connection screw.

RADIAL HEAD

- Round and symmetrical, allowing for adaptability, ease of sizing and implementation.
- Integrated connection screw aids in the construct assembly.



RADIAL STEM

- Polygon design for rotational stability.
- Straight stem has bevelled tip to facilitate insertion into the medullary cavity.
- Stems are designed to be uncemented.



RADIAL HEAD SIZES

18 Heads
(6 Diameters x
3 Heights)

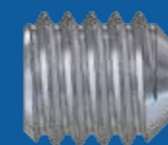


| | (mm) | (mm) | (mm) |
|---------------|------|------|------|
| Head Diameter | +0 | +2 | +4 |
| 16mm | 10.5 | 12.5 | 14.5 |
| 18mm | 10.5 | 12.5 | 14.5 |
| 20mm | 12.5 | 14.5 | 16.5 |
| 22mm | 12.5 | 14.5 | 16.5 |
| 24mm | 12.5 | 14.5 | 16.5 |
| 26mm | 12.5 | 14.5 | 16.5 |

CODE NAME

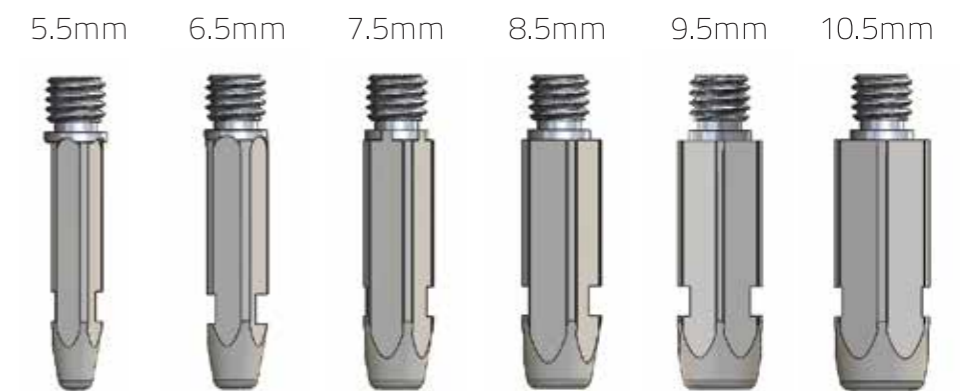
| | |
|--------------|---------------------------------|
| 5501.016.105 | Radial Head 16.0mm, H10.5mm TIT |
| 5501.016.125 | Radial Head 16.0mm, H12.5mm TIT |
| 5501.016.145 | Radial Head 16.0mm, H14.5mm TIT |
| 5501.018.105 | Radial Head 18.0mm, H10.5mm TIT |
| 5501.018.125 | Radial Head 18.0mm, H12.5mm TIT |
| 5501.018.145 | Radial Head 18.0mm, H14.5mm TIT |
| 5501.020.125 | Radial Head 20.0mm, H12.5mm TIT |
| 5501.020.145 | Radial Head 20.0mm, H14.5mm TIT |
| 5501.020.165 | Radial Head 20.0mm, H16.5mm TIT |
| 5501.022.125 | Radial Head 22.0mm, H12.5mm TIT |
| 5501.022.145 | Radial Head 22.0mm, H14.5mm TIT |
| 5501.022.165 | Radial Head 22.0mm, H16.5mm TIT |
| 5501.024.125 | Radial Head 24.0mm, H12.5mm TIT |
| 5501.024.145 | Radial Head 24.0mm, H14.5mm TIT |
| 5501.024.165 | Radial Head 24.0mm, H16.5mm TIT |
| 5501.026.125 | Radial Head 26.0mm, H12.5mm TIT |
| 5501.026.145 | Radial Head 26.0mm, H14.5mm TIT |
| 5501.026.165 | Radial Head 26.0mm, H16.5mm TIT |

- Integrated screw is preinstalled in the radial head.



RADIAL STEM SIZES

Diameters : 6 Stems (6 Diameters)



CODE

NAME

| | |
|----------|----------------------------------|
| 5502.055 | Radial Stem HA Coated 5.5mm TIT |
| 5502.065 | Radial Stem HA Coated 6.5mm TIT |
| 5502.075 | Radial Stem HA Coated 7.5mm TIT |
| 5502.085 | Radial Stem HA Coated 8.5mm TIT |
| 5502.095 | Radial Stem HA Coated 9.5mm TIT |
| 5502.105 | Radial Stem HA Coated 10.5mm TIT |

- The stems are designed to be uncemented and press fit into the radial canal.
- The HA Coated surface helps promote bone growth.
- Stem height from tip of the stem to the base of the threads is 25mm.

